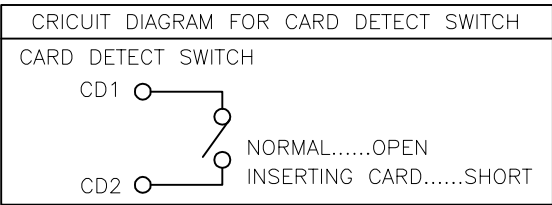


REV.	Q'TY	ECN. NO.	APR.	DATE
A		FIRST RELEASE	Yann	2023.05.11

Notes:
 1. Material:
 Housing: High Temperature Thermoplastic.
 Terminal: Copper Alloy
 Shell: Stainless Steel
 2. Plating:
 Terminal: 50u" Ni Underplated Overall
 G/F Plated On Contact Area
 Tin Plated On Solder Area
 Shell: 30u" Ni Underplated Overall
 G/F Plated On Contact Area And Solder Area
 3. Technical Speciality:
 Rated Voltage: 30V
 Current Rating: 0.5A
 Insulation Resistance: 1000MΩ Min.
 Contact Resistance: 100mΩ Max.
 Withstanding Voltage: 500V DC For 1 Minutes.
 Operating Temperature: -20℃~+85℃ Humidity 80% R.H Max.

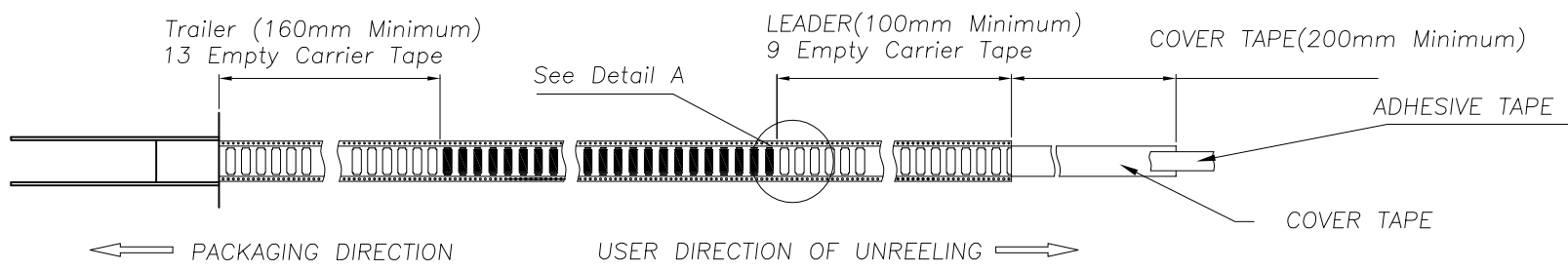
PIIN/NO	ASSIGNMENT
C1	VCC
C2	RST
C3	CLK
C4	Reserved
C5	GND
C6	VPP
C7	I/O
C8	Reserved
CD1	Detect Switch
CD2	Detect Switch



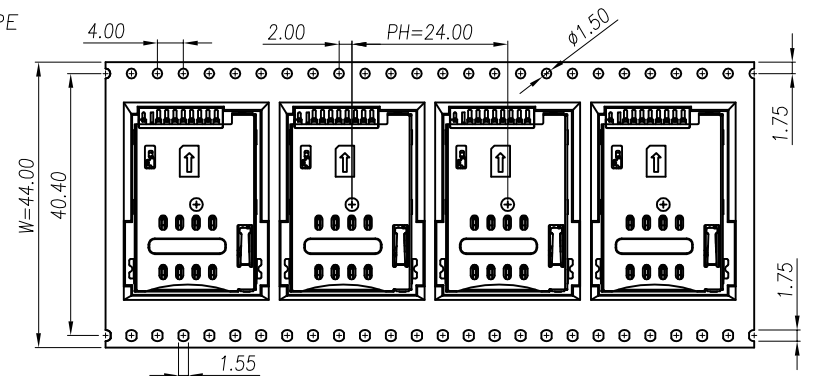
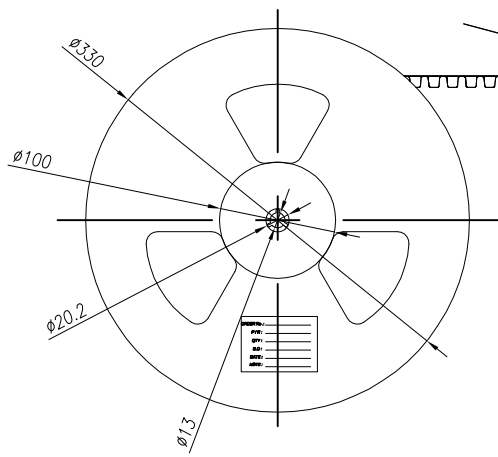
DIMENSION IN mm		Dongguan JianXing Electronics Co.,Ltd.	
TOLERANCE UNLESS OTHERWISE SPECIFIED		APR.	TITLE: 1.8H 8Pin SIM CARD CONNECTOR
.X±0.35	X.*± 5°	CHK.	DWG NO. SM011-0B180A081
.XX±0.25	.X.*± 3°	DRA. Yann	PROJ. CUSTOMER DRAWING
.XXX±0.15	.XX.*± 1°	SIZE A4	SCALE 3:1 SHEET 1/2 REV. A

ROHS

REV.	Q'TY	ECN. NO.	APR.	DATE
A		FIRST RELEASE	Jason	2023.05.11



COVER TAPE PEELING ANGLE: 165°~180°
PEELING FORCE: 20~130g



DETAIL A

1	SM011-0B180A081	650	6	3900	350X350X340
ITEM	PRODUCT NO	QTY/REEL	REEL/CARTON	QTY/CARTON	CARTON SIZE

DIMENSION IN mm			Dongguan JianXing Electronics Co.,Ltd.	
TOLERANCE UNLESS OTHERWISE SPECIFIED				
.X±0.35	X.'± 5'	APR.	TITLE: 1.8H 8Pin SIM CARD CONNECTOR	
.XX±0.25	.X'± 3'	CHK.	DWG NO. SM011-0B180A081	
.XXX±0.15	.XX'± 1'	DRA. Yann	PROJ.	CUSTOMER DRAWING
			SIZE A4	SCALE 1:3
			SHEET 2/2	REV. A