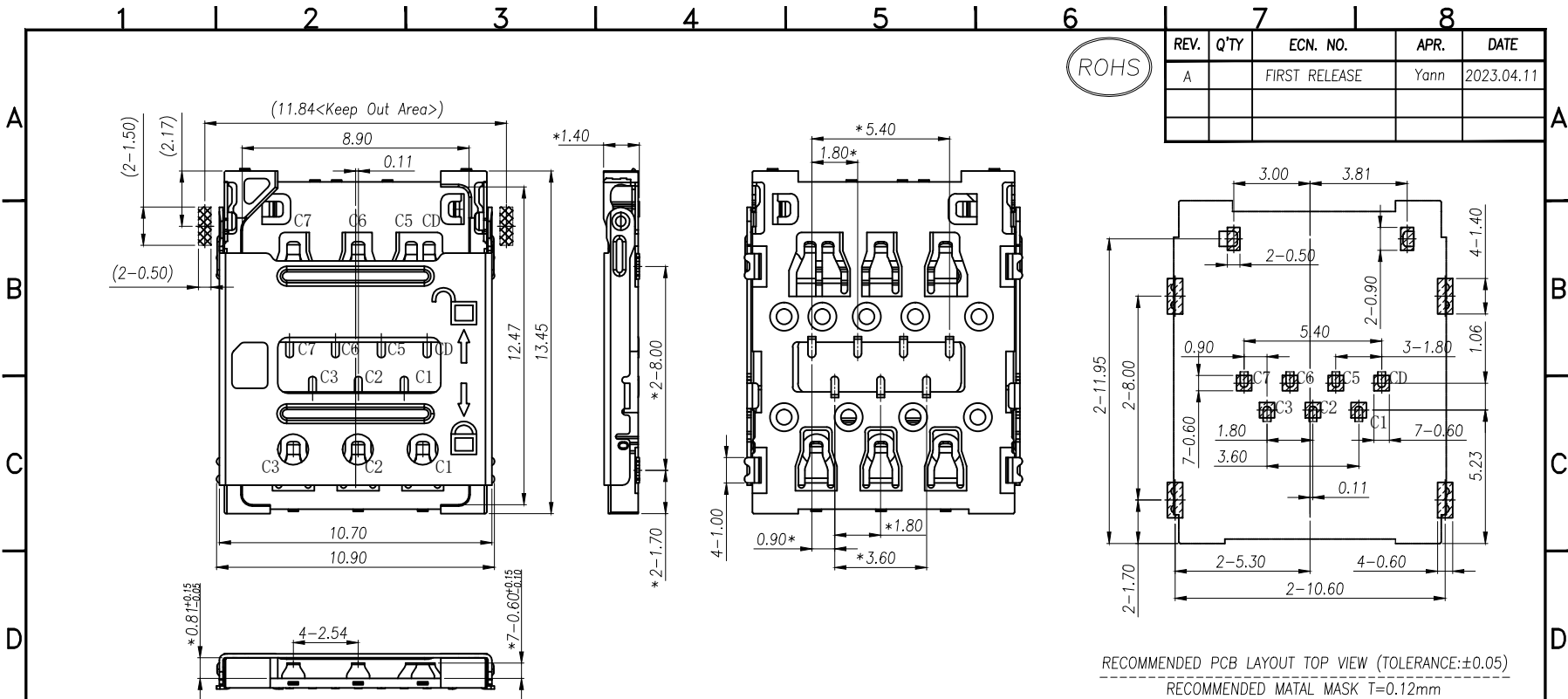


ROHS

REV.	Q'TY	ECN. NO.	APR.	DATE
A		FIRST RELEASE	Yann	2023.04.11



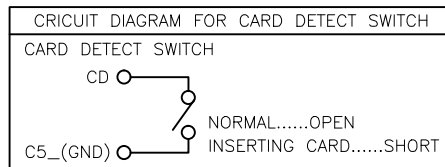
RECOMMENDED PCB LAYOUT TOP VIEW (TOLERANCE:±0.05)
RECOMMENDED METAL MASK T=0.12mm

SMT SOLDER AREA

NOTES:

- MATERIAL:
HOUSING: High Temperature Thermoplastic
Terminal: Copper Alloy
Shell: Stainless Steel
- PLATING:
Terminal: 50u" Ni UNDERPLATED OVERALL
G/F PLATED ON CONTACT AREA AND SOLDER AREA
Shell: 30u" Ni UNDERPLATED OVERALL
- TECHNICAL SPECIALITY:
RATED VOLTAGE: 30V AC MAX.
CURRENT RATING: 0.5A MAX.
INSULATION RESISTANCE: 1000MΩ MIN
CONTACT RESISTANCE: 50mΩ MAX
WITHSTANDING VOLTAGE: 500V AC FOR 1 MINUTES
OPERATING TEMPERATURE:
-45 ~ +85 Humidity 80% R.H MAX
- DIMENSIONS WITH MARK * MUST BE MEASURE BY QC AND IPQC

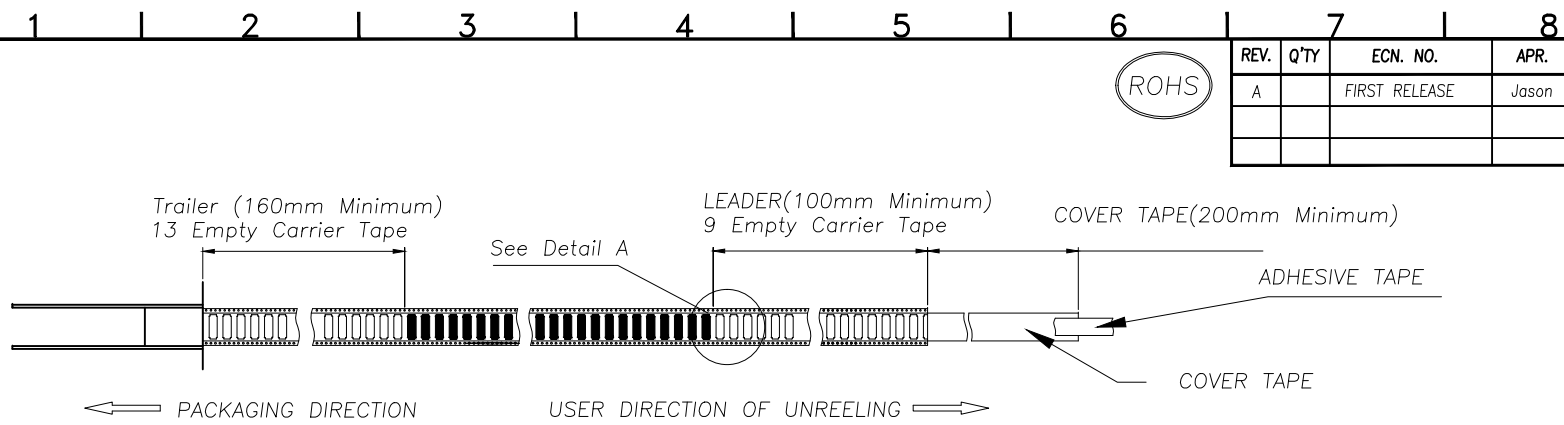
PIIN/NO	ASSIGNMENT
C1	VCC
C2	RST
C3	CLK
CD	Detect Switch
C5	GND
C6	VPP
C7	I/O



DIMENSION IN mm		TOLERANCE UNLESS OTHERWISE SPECIFIED		Dongguan JianXing Electronics Co.,Ltd.	
.X±0.35	X.*±5'	APR.	TITLE: 1.40H NANO SIM CARD CONNECTOR	DWC NO. SM010-0B140A061	
.XX±0.25	.X.*±3'	CHK.	PROJ.		
.XXX±0.15	.XX.*±1'	DRA. Yann	SIZE A4	SCALE 4:1	SHEET 1/2
			REV. A		

ROHS

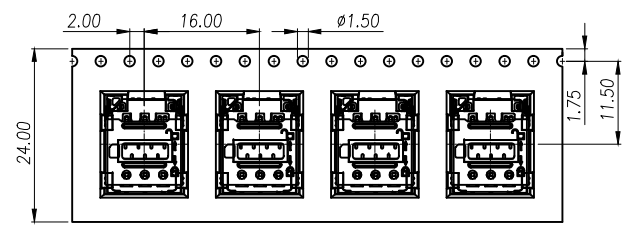
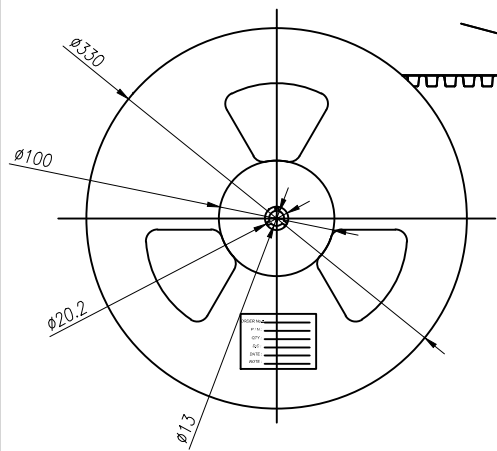
REV.	Q'TY	ECN. NO.	APR.	DATE
A		FIRST RELEASE	Jason	2023.04.11



COVER TAPE PEELING ANGLE: 165°~180°
 PEELING FORCE: 20~130g

CARRIER TAPE

PACKAGING DIRECTION ← → USER DIRECTION OF UNREELING



DETAIL A

1	SM010-0B140A061	2000	10	20000	350X350X340
ITEM	PRODUCT NO	QTY/REEL	REEL/CARTON	QTY/CARTON	CARTON SIZE

DIMENSION IN mm			Dongguan JianXing Electronics Co.,Ltd.	
TOLERANCE UNLESS OTHERWISE SPECIFIED			APR.	TITLE: 1.40H NANO SIM CARD CONNECTOR
.X±0.35	X.*±5'	CHK.	DWG NO. SM010-0B140A061	
.XX±0.25	.X*±3'	DRA. Yann	PROJ.	CUSTOMER DRAWING
.XXX±0.15	.XX*±1'		SIZE A4	SCALE 1:4
			SHEET 2/2	REV. A