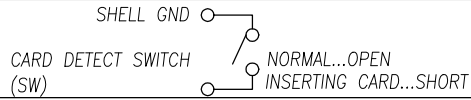
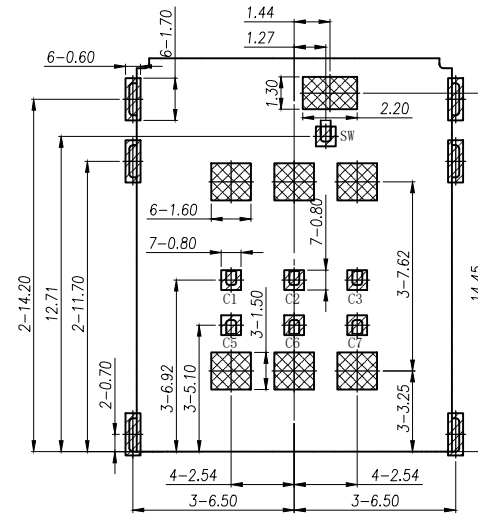
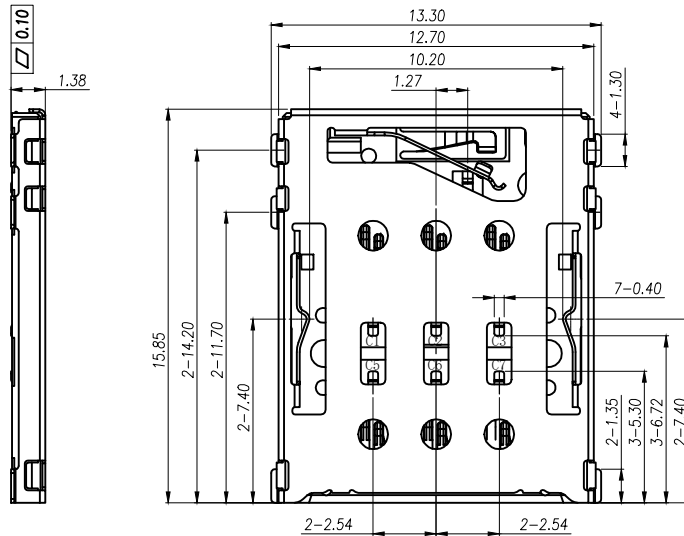


CRICUIT DIAGRAM FOR CARD DETECT SWITCH



REV.	Q'TY	ECN. NO.	APR.	DATE
A		FIRST RELEASE	Yann	2023.03.26



RECOMMENDED PCB LAYOUT
TOLERANCE: ±0.05

- SMT SOLDER AREA
- COPPER RESTRICTED AREA
- 1. TOUCH AREA OF CONTACT
- TIPS NO ELECTRICAL FUNCTION
- 2. NO FIRST PCB_LAYOUT CIRCUITS IN THE AREA

Notes:

1. Material:

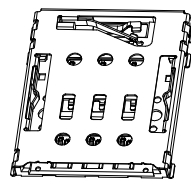
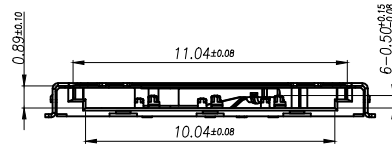
- Housing: High Temperature Thermoplastic.
- Terminal: Copper Alloy
- Shell: Stainless Steel

2. Plating:

- Terminal: 50u" Ni Underplated Overall
- G/F Plated On Contact Area
- G/F Plated On Solder Area
- Shell: 30u" Ni Underplated Overall
- G/F Plated On Contact Area And Solder Area

3. Technical Specialty:

- Rated Voltage: 30V
- Current Rating: 0.5A
- Insulation Resistance: 1000MΩ Min.
- Contact Resistance: 100mΩ Max.
- Withstanding Voltage: 500V DC For 1 Minutes.
- Operating Temperature: -40°C ~ +85°C Humidity 80% R.H Max.



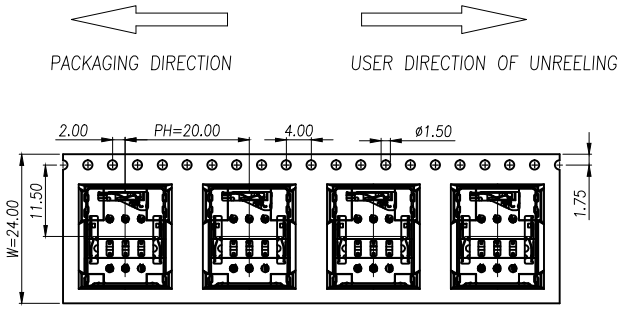
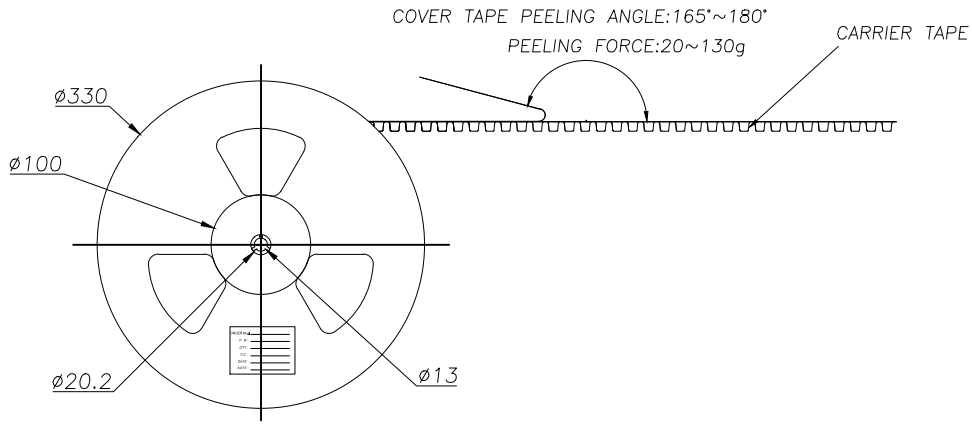
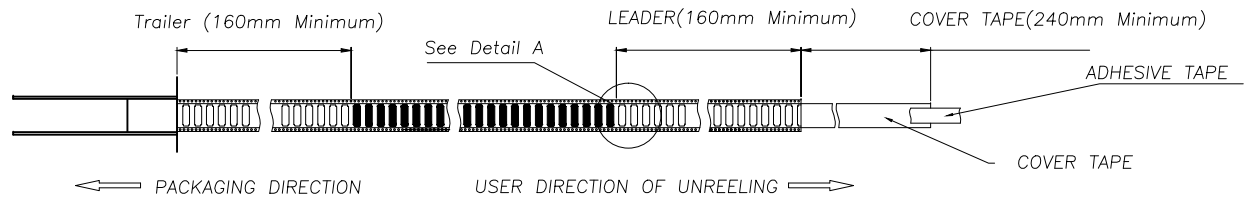
3D VIEW

PIN/NO	ASSIGNMENT
C1	VCC
C2	RST
C3	CLK
C5	GND
C6	VPP
C7	I/O
SW	Detect Switch

DIMENSION IN mm		TOLERANCE UNLESS OTHERWISE SPECIFIED		Dongguan JianXing Electronics Co., Ltd.	
.X ± 0.35	.X' ± 5'	APR.	TITLE: 1.38H Nano_SIM Card CONNECTOR	DWG NO. SM014-1B138A060 CUSTOMER DRAWING	
.XX ± 0.25	.X' ± 3'	CHK.	PROJ.		
.XXX ± 0.15	.X' ± 1'	DRA. Yann 2023.03.26	SIZE A4	SCALE 4:1	SHEET 1/2 REV. A

REV.	Q'TY	ECN. NO.	APR.	DATE
A		FIRST RELEASE	Yann	2023.03.26

ROHS



DETAIL A
1:4

1	SM014-1B138A060	1500	10	15000	350X350X340
ITEM	PRODUCT NO	QTY/REEL	REEL/CARTON	QTY/CARTON	CARTON SIZE

DIMENSION IN mm			Dongguan JianXing Electronics Co.,Ltd.	
TOLERANCE UNLESS OTHERWISE SPECIFIED				
.X \pm 0.35	X. \pm 5'	APR.	TITLE: 1.38H Nano_SIM Card CONNECTOR	
.XX \pm 0.25	.X \pm 3'	CHK.	DWG NO. SM014-1B138A060	
.XXX \pm 0.15	.XX \pm 1'	DRA. Yann 2023.03.26	PROJ.	CUSTOMER DRAWING
		SIZE A4	SCALE 4:1	SHEET 2/2
				REV. A