

ROHS

REV.	Q'TY	ECN. NO.	APR.	DATE
A		FIRST RELEASE	Yann	2023.07.13

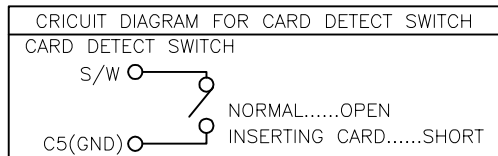
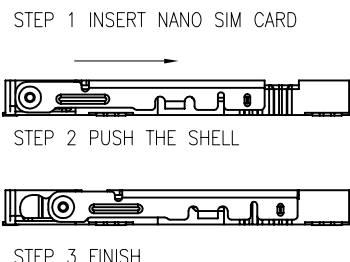
PIIN/NO	ASSIGNMENT
C1	VCC
C2	RST
C3	CLK
S/W	Detect Switch
C5	GND
C6	VPP
C7	I/O

RECOMMENDED PCB LAYOUT TOP VIEW (TOLERANCE:±0.05)

- SMT SOLDER AREA
- COPPER RESTRICTED AREA
- 1. TOUCH AREA OF CONTACT TIPS NO ELECTRICAL FUNCTION
- 2. NO FIRST PCB_LAYOUT CIRCUITS IN THE AREA

NOTES:

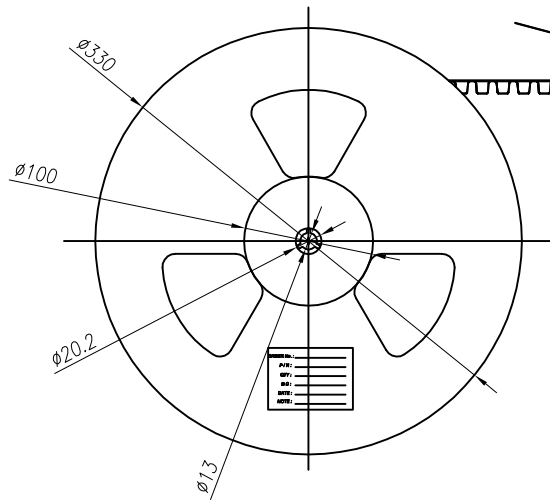
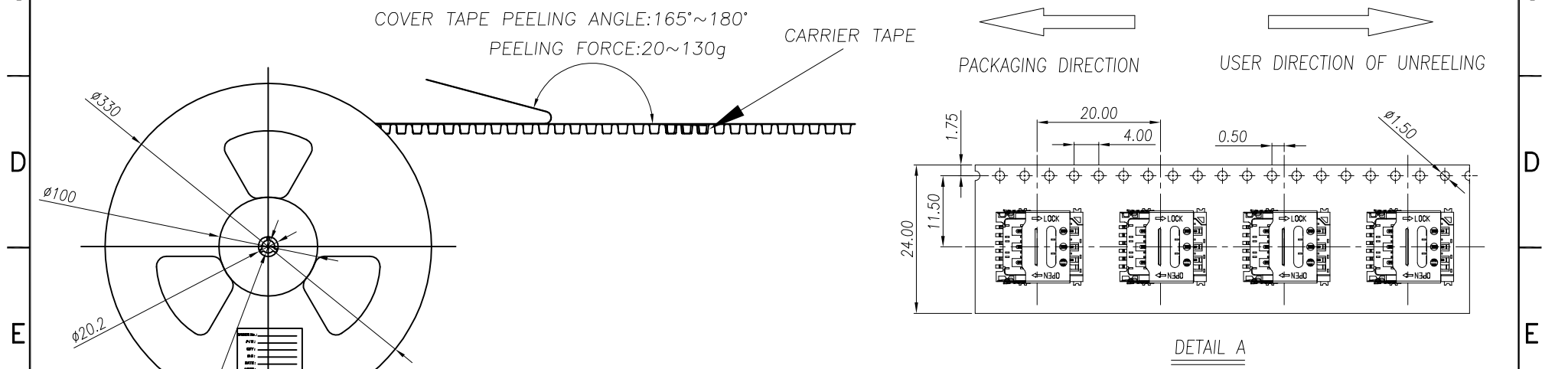
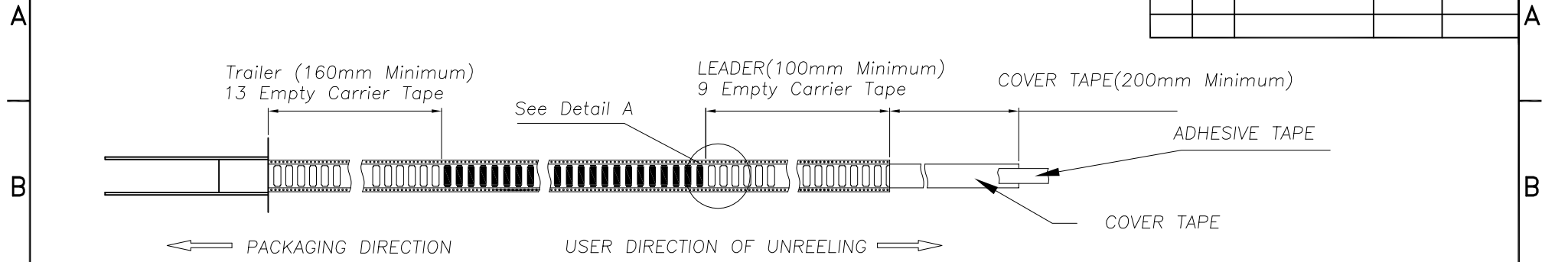
- MATERIAL:
 - HOUSING: High Temperature Thermoplastic
 - Terminal: Copper Alloy
 - Shell: Stainless Steel
- PLATING:
 - Terminal: 50u" Ni UNDERPLATED OVERALL G/F PLATED ON CONTACT AREA AND SOLDER AREA
 - Shell: 30u" Ni UNDERPLATED OVERALL G/F PLATED ON CONTACT AREA AND SOLDER AREA
- TECHNICAL SPECIALITY:
 - RATED VOLTAGE: 30V AC MAX.
 - CURRENT RATING: 0.5A MAX.
 - INSULATION RESISTANCE: 1000MΩ MIN
 - CONTACT RESISTANCE: 50mΩ MAX
 - WITHSTANDING VOLTAGE: 500V AC FOR 1 MINUTES
 - OPERATING TEMPERATURE: -20°C~+85°C Humidity 80% R.H MAX



DIMENSION IN mm		Dongguan JianXing Electronics Co.,Ltd.	
TOLERANCE UNLESS OTHERWISE SPECIFIED			
.X±0.35	X.*± 5'	APR.	TITLE: 1.40H NANO SIM CARD CONNECTOR
.XX±0.25	.X.*± 3'	CHK.	DWG NO. SM012-0B140A071
.XXX±0.15	.XX.*± 1'	DRA. Yann	PROJ. CUSTOMER DRAWING
		SIZE A4	SCALE 4:1
		SHEET 1/2	REV. A

ROHS

REV.	Q'TY	ECN. NO.	APR.	DATE
A		FIRST RELEASE	Jason	2023.07.13



1	SM012-OB140A071	1500	11	16500	350X350X340
ITEM	PRODUCT NO	QTY/REEL	REEL/CARTON	QTY/CARTON	CARTON SIZE

DIMENSION IN mm			Dongguan JianXing Electronics Co.,Ltd.	
TOLERANCE UNLESS OTHERWISE SPECIFIED				
.X±0.35	X.'± 5'	APR.	TITLE: 1.40H NANO SIM CARD CONNECTOR	
.XX±0.25	.X'± 3'	CHK.	DWG NO. SM012-OB140A071	
.XXX±0.15	.XX'± 1'	DRA. Yann	CUSTOMER DRAWING	
SIZE A4	SCALE 1:4	SHEET 2/2	REV. A	