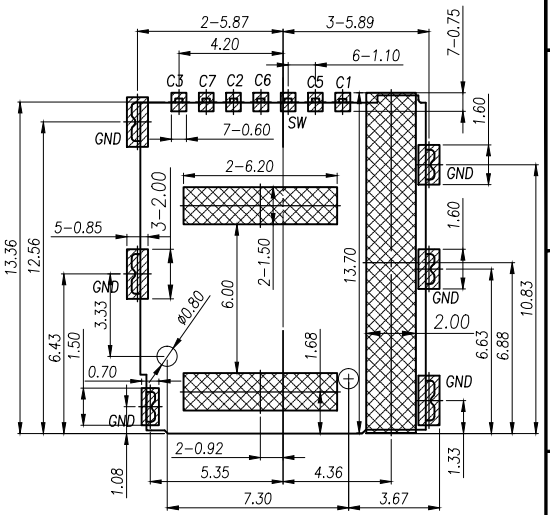
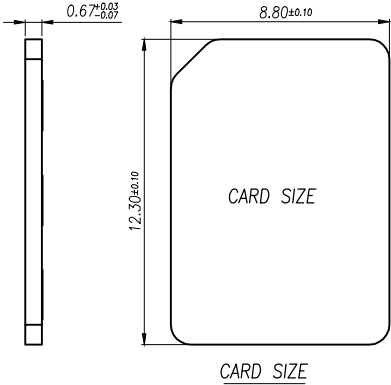
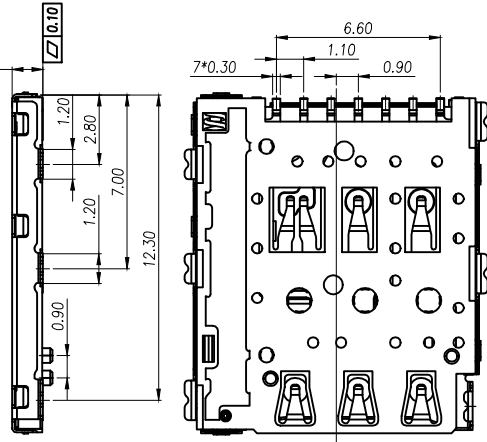
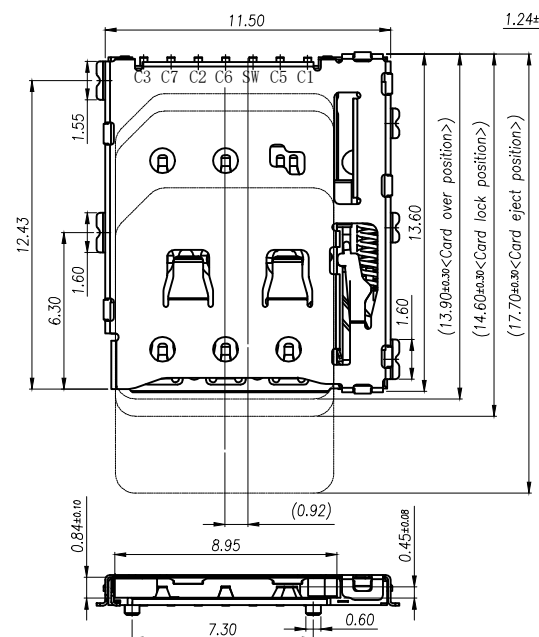


ROHS

REV.	Q'TY	ECN. NO.	APR.	DATE
A		FIRST RELEASE	Yann	2024.02.26



**RECOMMENDED PCB LAYOUT**  
TOLERANCE: ±0.05

- SMT SOLDER AREA
- COPPER RESTRICTED AREA
- 1. TOUCH AREA OF CONTACT TIPS NO ELECTRICAL FUNCTION
- 2. NO FIRST PCB\_LAYOUT CIRCUITS IN THE AREA

Notes:

- Material:
  - Housing: High Temperature Thermoplastic.
  - Terminal: Copper Alloy
  - Shell: Stainless Steel
- Plating:
  - Terminal: 50u" Ni Underplated Overall
  - G/F Plated On Contact Area
  - G/F Plated On Solder Area
  - Shell: 30u" Ni Underplated Overall
- Technical Speciality:
  - Rated Voltage: 30V
  - Current Rating: 0.5A
  - Insulation Resistance: 1000MΩ Min.
  - Contact Resistance: 100mΩ Max.
  - Withstanding Voltage: 500V DC For 1 Minutes.
  - Operating Temperature: -40°C ~ +85°C Humidity 80% R.H. Max.

PIN/NO	ASSIGNMENT
C1	VCC
C2	RST
C3	CLK
C5	GND
C6	VPP
C7	I/O
SW	Detect Switch

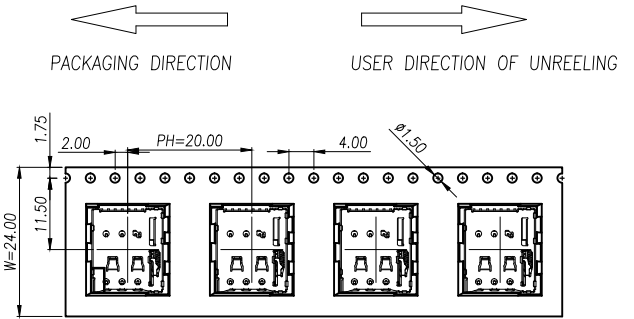
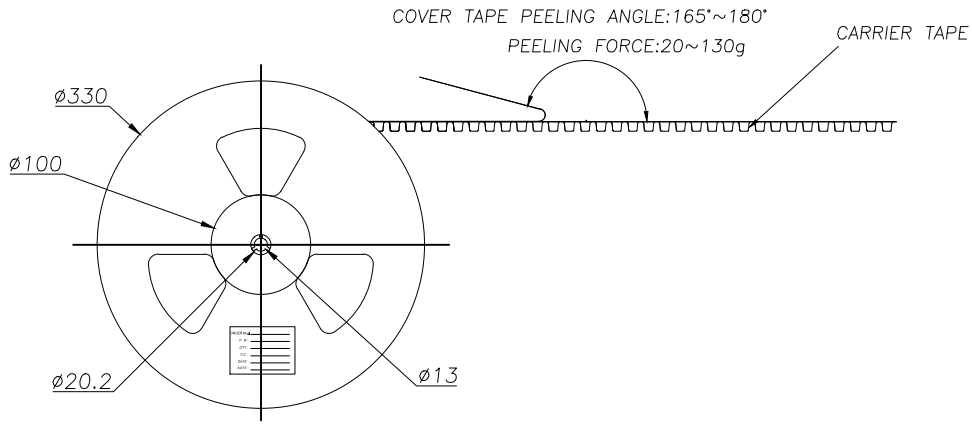
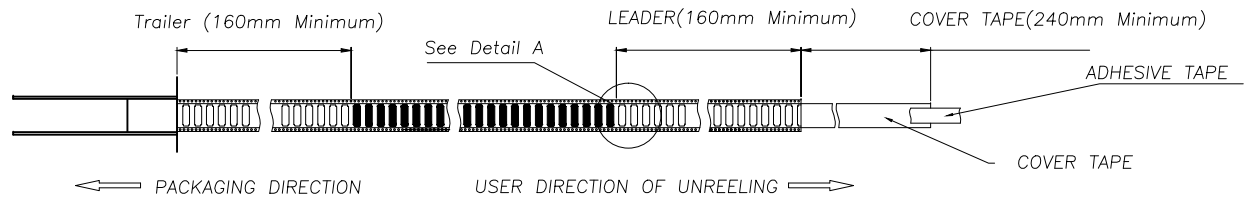
PART INSTRUCTIONS:

PART NUMBER	DESCRIPTION
SM003-OB124A070	WITH POST
SM003-OB124A07N	NO POST

DONGGUAN JIANXING ELECTRONICS CO., LTD.			
DIMENSION IN mm		TITLE: 1.24H Nano_SIM Card CONNECTOR	
TOLERANCE UNLESS OTHERWISE SPECIFIED		DWG NO. SM003-OB124A07*	
.X±0.35	X.*±5'	APR.	PROJ.
.XX±0.25	.X.*±3'	CHK.	CUSTOMER DRAWING
.XXX±0.15	.XX.*±1'	DRA. Yann 2024.02.26	SIZE A4 SCALE 4:1 SHEET 1/2 REV. A

REV.	Q'TY	ECN. NO.	APR.	DATE
A		FIRST RELEASE	Yann	2024.02.26

ROHS



DETAIL A  
1:4

1	SM003-OB124A07*	1600	10	16000	350X350X340
ITEM	PRODUCT NO	QTY/REEL	REEL/CARTON	QTY/CARTON	CARTON SIZE

DIMENSION IN mm			<b>Dongguan JianXing Electronics Co.,Ltd.</b>	
TOLERANCE UNLESS OTHERWISE SPECIFIED			TITLE: 1.24H Nano_SIM Card CONNECTOR	
.X $\pm$ 0.35	X' $\pm$ 5'	APR.	DWG NO. SM003-OB124A07*	
.XX $\pm$ 0.25	.X' $\pm$ 3'	CHK.	CUSTOMER DRAWING	
.XXX $\pm$ 0.15	.XX' $\pm$ 1'	DRA. Yann 2024.02.26	PROJ.	SIZE A4
		SCALE 4:1	SHEET 2/2	REV. A