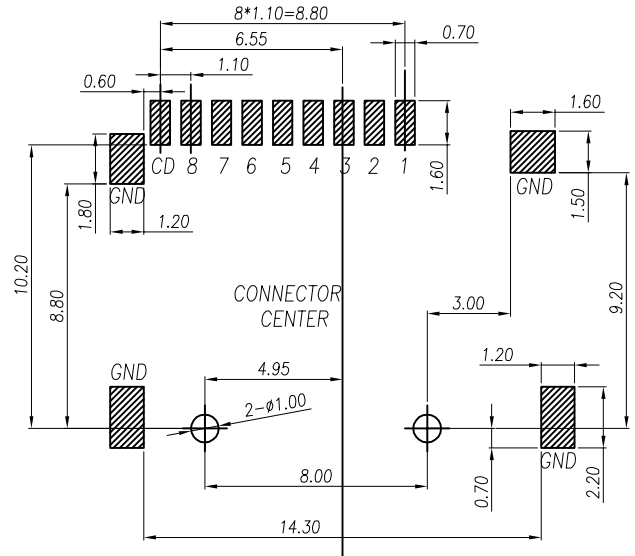
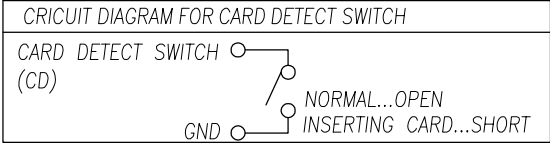


REV.	Q'TY	ECN. NO.	APR.	DATE
A		FIRST RELEASE	Yann	2019.03.16

ROHS



RECOMMENDED PCB LAYOUT  
TOLERANCE: ±0.05  
SMT SOLDER AREA



Notes:  
 1. Material:  
 Housing: High Temperature Thermoplastic.  
 Terminal: Copper Alloy  
 Shell: Stainless Steel  
 2. Plating:  
 Terminal: 50u" Ni Underplated Overall  
 G/F Plated On Contact Area  
 G/F Plated On Solder Area  
 Shell: 30u" Ni Underplated Overall  
 G/F Plated On Contact Area And Solder Area  
 3. Technical Speciality:  
 Rated Voltage: 30V  
 Current Rating: 0.5A  
 Insulation Resistance: 1000MΩ Min.  
 Contact Resistance: 100mΩ Max.  
 Withstanding Voltage: 500V DC For 1 Minutes.  
 Operating Temperature: -40°C ~ +85°C Humidity 80% R.H Max.

PIN NO.	NAME
1	DAT2
2	CD/DAT3
3	CMD
4	VDD
5	CLX
6	VSS
7	DATO
8	DAT1

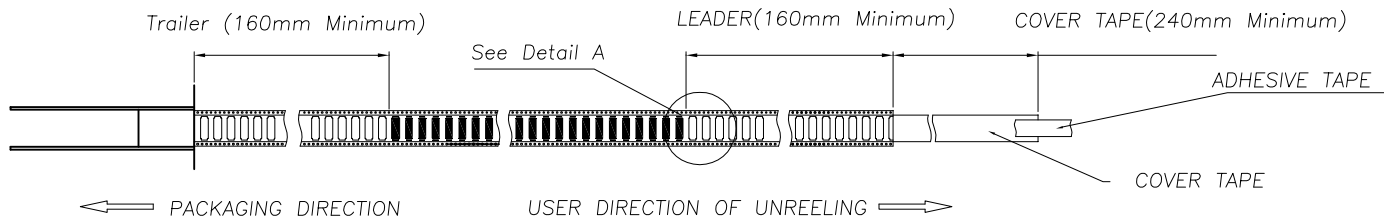
DIMENSION IN mm		APR.	TITLE: 1.9H TF Card CONNECTOR
TOLERANCE UNLESS OTHERWISE SPECIFIED			
.X±0.35	.X*± 5°	CHK.	DWG NO. TF002-1B190A081
.XX±0.25	.X*± 3°	DRA Yann 2019.03.16	PROJ.  CUSTOMER DRAWING
.XXX±0.15	.XX*± 1°	SIZE A4	SCALE 4:1 SHEET 1/2 REV. A



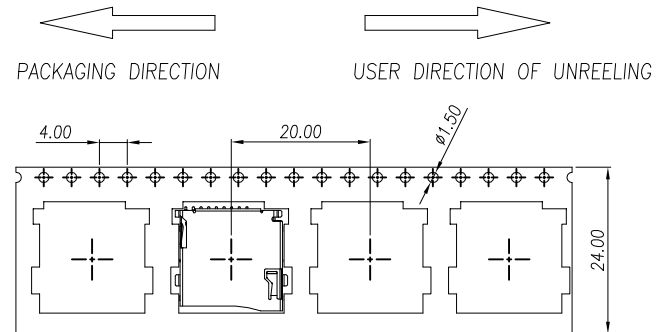
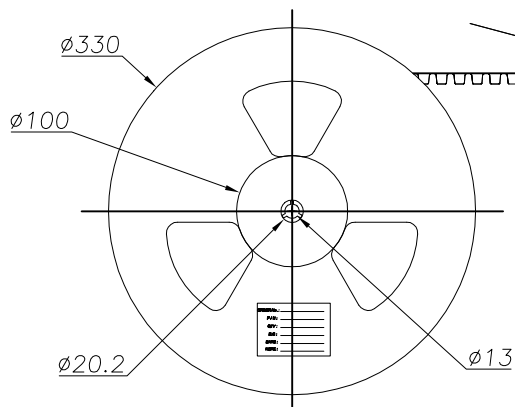
**Dongguan JianXing Electronics Co., Ltd.**

ROHS

REV.	Q'TY	ECN. NO.	APR.	DATE
A		FIRST RELEASE	Yann	2019.03.16


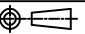


COVER TAPE PEELING ANGLE: 165°~180°  
 PEELING FORCE: 20~130g  
 CARRIER TAPE



DETAIL A  
1:4

1	TF002-1B190A081	1000	10	10000	350X350X340
ITEM	PRODUCT NO	QTY/REEL	REEL/CARTON	QTY/CARTON	CARTON SIZE

DIMENSION IN mm		 Dongguan JianXing Electronics Co.,Ltd.		
TOLERANCE UNLESS OTHERWISE SPECIFIED		APR.	TITLE: 1.9H TF Card CONNECTOR	
.X±0.35	X.*± 5°	CHK.	DWG NO. TF002-1B190A081	
.XX±0.25	.X.*± 3°	DRA Yann	PROJ. 	CUSTOMER DRAWING
.XXX±0.15	.XX.*± 1°	2024.02.26	SIZE A4	SCALE 4:1
			SHEET 2/2	REV. A