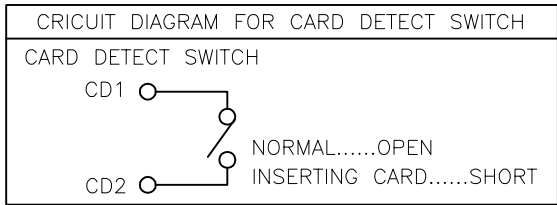


REV.	Q'TY	ECN. NO.	APR.	DATE
A		FIRST RELEASE	Yann	2023.05.11



PIIN/NO	ASSIGNMENT
C1	VCC
C2	RST
C3	CLK
C5	GND
C6	VPP
C7	I/O
CD1	Detect Switch
CD2	Detect Switch

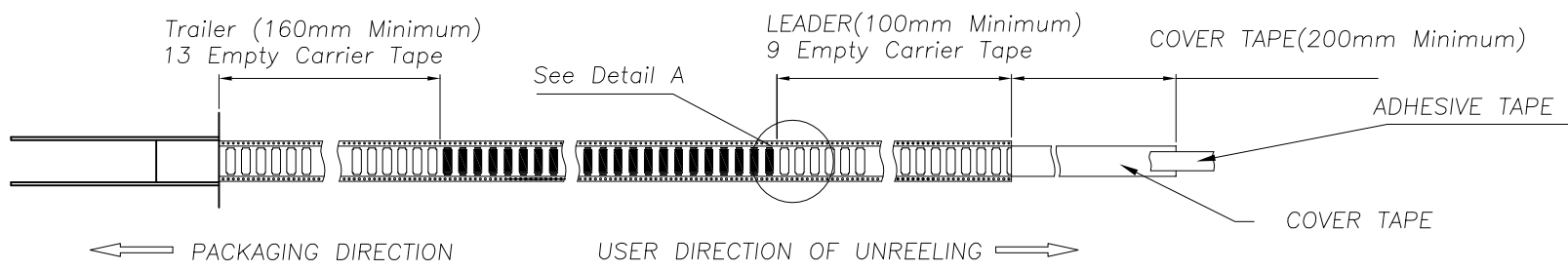
- Notes:
- Material:
 - Housing: High Temperature Thermoplastic.
 - Terminal: Copper Alloy
 - Shell: Stainless Steel
 - Plating:
 - Terminal: 50u" Ni Underplated Overall
G/F Plated On Contact Area
Tin Plated On Solder Area
 - Shell: 30u" Ni Underplated Overall
G/F Plated On Contact Area And Solder Area
 - Technical Speciality:
 - Rated Voltage: 30V
 - Current Rating: 0.5A
 - Insulation Resistance: 1000MΩ Min.
 - Contact Resistance: 100mΩ Max.
 - Withstanding Voltage: 500V DC For 1 Minutes.
 - Operating Temperature: -20℃~+85℃ Humidity 80% R.H Max.



DIMENSION IN mm		Dongguan JianXing Electronics Co.,Ltd.	
TOLERANCE UNLESS OTHERWISE SPECIFIED		APR.	TITLE: 1.8H 6Pin SIM CARD CONNECTOR
.X±0.35	X.*± 5°	CHK.	DWG NO. SM011-1B180A061
.XX±0.25	.X*± 3°	DRA. Yann	PROJ. CUSTOMER DRAWING
.XXX±0.15	.XX*± 1°	SIZE A4	SCALE 3:1 SHEET 1/2 REV. A

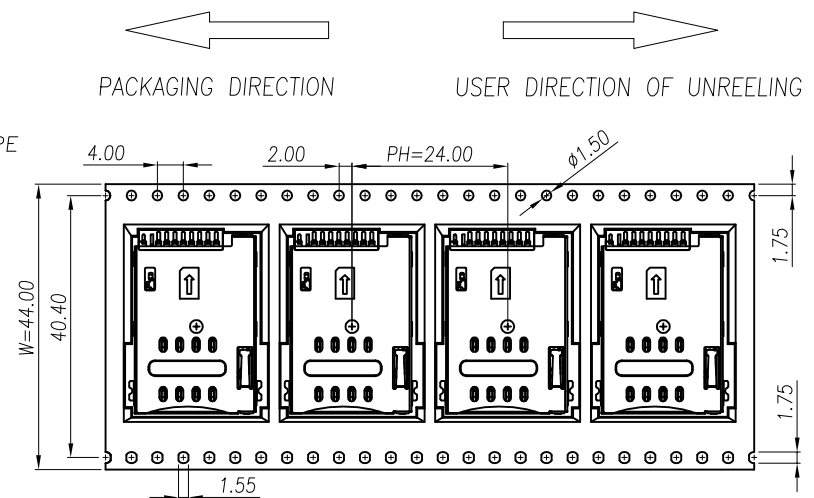
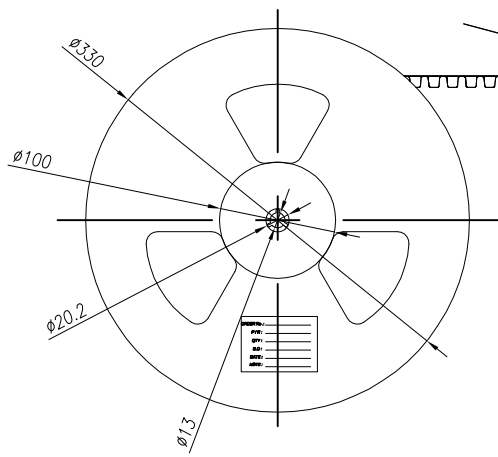
ROHS

REV.	Q'TY	ECN. NO.	APR.	DATE
A		FIRST RELEASE	Jason	2023.05.11



COVER TAPE PEELING ANGLE:165°~180°
PEELING FORCE:20~130g

CARRIER TAPE



DETAIL A

1	SM011-1B180A061	650	6	3900	350X350X340
ITEM	PRODUCT NO	QTY/REEL	REEL/CARTON	QTY/CARTON	CARTON SIZE

DIMENSION IN mm			Dongguan JianXing Electronics Co.,Ltd.	
TOLERANCE UNLESS OTHERWISE SPECIFIED				
.X±0.35	X.'± 5'	APR.	TITLE: 1.8H 6Pin SIM CARD CONNECTOR	
.XX±0.25	.X'± 3'	CHK.	DWG NO. SM011-1B180A061	
.XXX±0.15	.XX'± 1'	DRA. Yann	PROJ.	CUSTOMER DRAWING
			SIZE A4	SCALE 1:3
			SHEET 2/2	REV. A