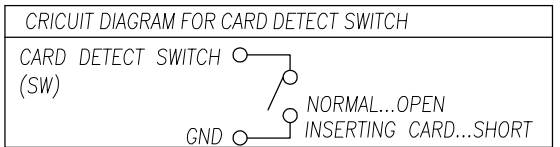


ROHS

| REV. | Q'TY | ECN. NO. | APR. | DATE |
|------|------|---------------|------|------------|
| A | | FIRST RELEASE | Yann | 2019.08.11 |

RECOMMENDED PCB LAYOUT
TOLERANCE: ±0.05
SMT SOLDER AREA



| PIN NO. | NAME |
|---------|---------|
| 1 | DAT2 |
| 2 | CD/DAT3 |
| 3 | CMD |
| 4 | VDD |
| 5 | CLX |
| 6 | VSS |
| 7 | DATO |
| 8 | DAT1 |

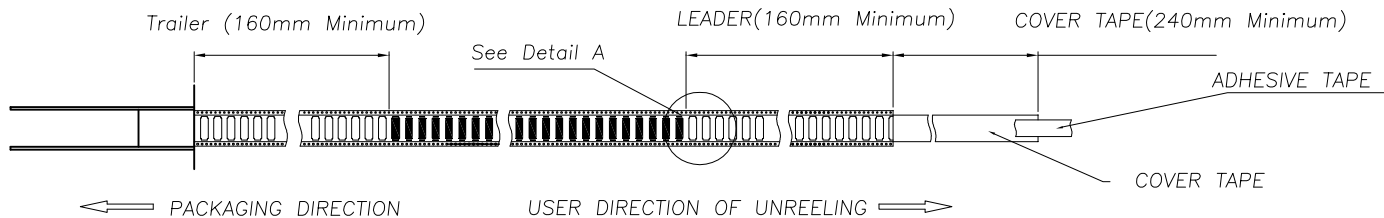
| DIMENSION IN mm | | APR. | TITLE: |
|--------------------------------------|-----------|----------------------|------------------------------------|
| TOLERANCE UNLESS OTHERWISE SPECIFIED | | | |
| .X±0.35 | X.*± 5° | CHK. | DWG NO. TF004-1B085A081 |
| .XX±0.25 | .X.*± 3° | DRA. Yann 2019.08.11 | PROJ. CUSTOMER DRAWING |
| .XXX±0.15 | .XX.*± 1° | | SIZE A4 SCALE 4:1 SHEET 1/2 REV. A |



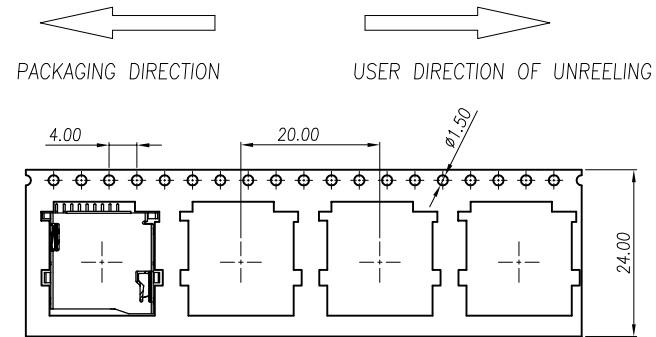
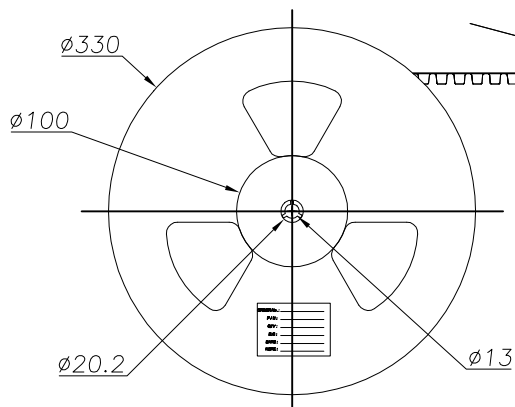
Dongguan JianXing Electronics Co.,Ltd.

ROHS

| REV. | Q'TY | ECN. NO. | APR. | DATE |
|------|------|---------------|------|------------|
| A | | FIRST RELEASE | Yann | 2019.08.11 |
| | | | | |
| | | | | |



COVER TAPE PEELING ANGLE: 165°~180°
 PEELING FORCE: 20~130g
 CARRIER TAPE



DETAIL A
1:4

| | | | | | |
|------|-----------------|----------|-------------|------------|-------------|
| 1 | TF004-1B085A081 | 1000 | 10 | 10000 | 350X350X340 |
| ITEM | PRODUCT NO | QTY/REEL | REEL/CARTON | QTY/CARTON | CARTON SIZE |

| | | | | |
|--------------------------------------|-----------|------------------------|--|------------------|
| DIMENSION IN mm | | | Dongguan JianXing Electronics Co., Ltd. | |
| TOLERANCE UNLESS OTHERWISE SPECIFIED | | | | |
| .X±0.35 | X.*± 5' | APR. | TITLE: TF004-1B085A081 Card CONNECTOR | |
| .XX±0.25 | .X.*± 3' | CHK. | DWG NO. TF004-1B085A081 | |
| .XXX±0.15 | .XX.*± 1' | DRA Yann 2019.08.11 | PROJ. | CUSTOMER DRAWING |
| | | SIZE A4 | SCALE 4:1 | SHEET 2/2 |
| | | | | REV. A |