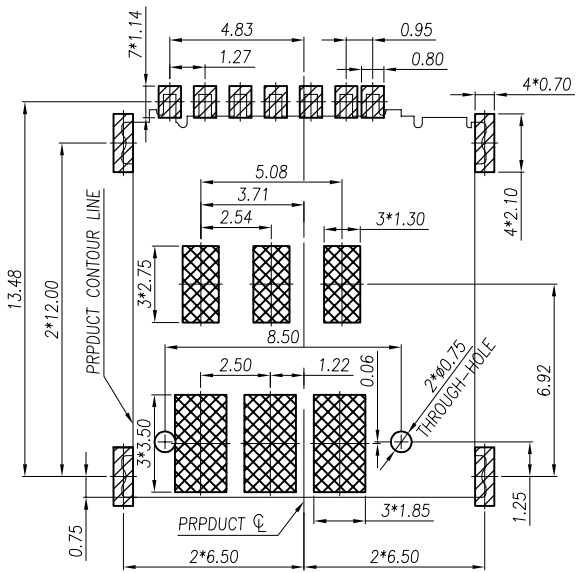
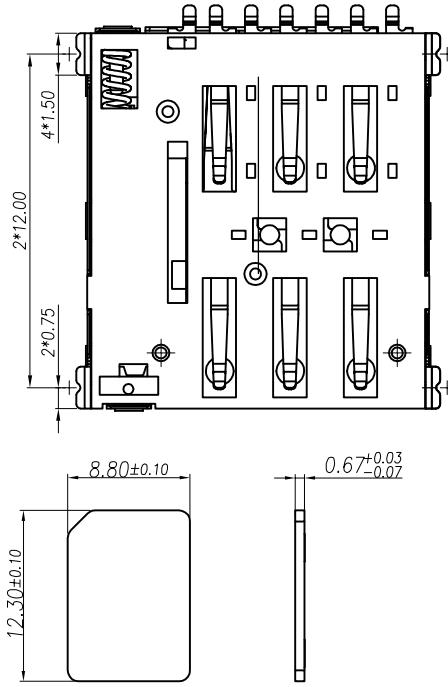
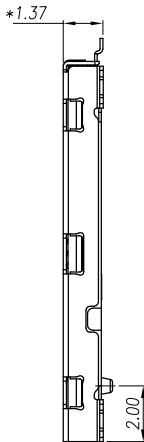
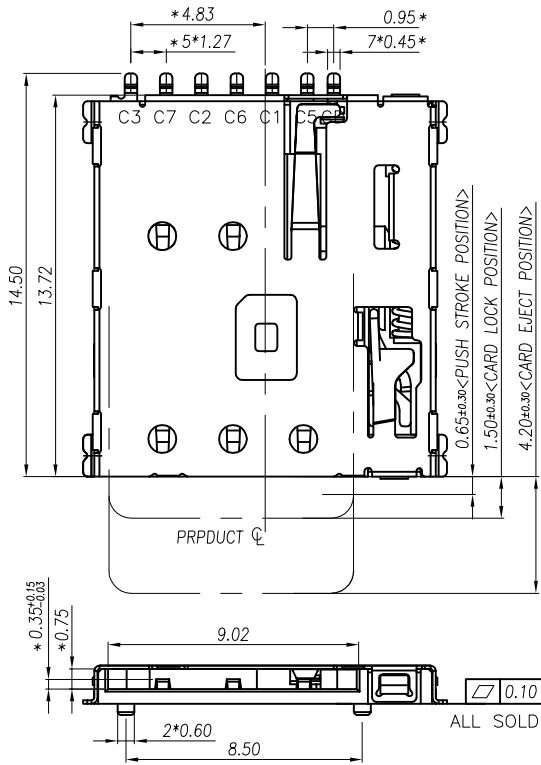


ROHS

REV.	Q'TY	ECN. NO.	APR.	DATE
A		FIRST RELEASE	Yann	2021.03.11



RECOMMENDED PCB LAYOUT TOP VIEW (TOLERANCE:±0.05)  
RECOMMENDED MATAL MASK T=0.12mm

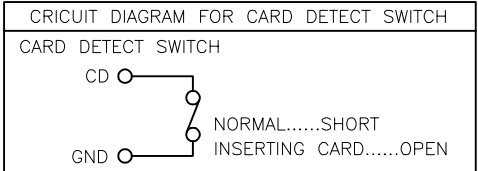
- SMT SOLDER AREA
- NO PATTERN AND VIA HOLE IN HTIS AREA

NOTES:  
 1.MATERIAL:  
 HOUSING: High Temperature Thermoplastic  
 Terminal:Copper Alloy  
 Shell: Stainless Steel  
 2.PLATING:  
 Terminal:50u" Ni UNDERPLATED OVERALL  
 G/F PLATED ON CONTACT AREA AND SOLDER AREA  
 Shell:30u" Ni UNDERPLATED OVERALL  
 G/F PLATED ON CONTACT AREA AND SOLDER AREA  
 3.TECHNICAL SPECIALITY:  
 RATED VOLTAGE: 30V AC MAX.  
 CURRENT RATING: 0.5A MAX.  
 INSULATION RESISTANCE:1000MΩ MIN  
 CONTACT REISTANCE:50mΩ MAX  
 WITHSTANDING VOLTAGE: 500V AC FOR 1 MINUTES  
 OPERATING TEMPERATURE:  
 -25°C~+85°C Humidity 80% R.H MAX  
 4.DIMENSIONS WITH MARK \* "MUST BE MEASURE  
 BY QC AND IPQC

PIIN/NO	ASSIGNMENT
C1	VCC
C2	RST
C3	CLK
CD	Detect Switch
C5	GND
C6	VPP
C7	I/O

PART INSTRUCTIONS:

PART NUMBER	DESCRIPTION
SM007-2B137A071	WITH POST
SM007-2B137A07N	NO POST



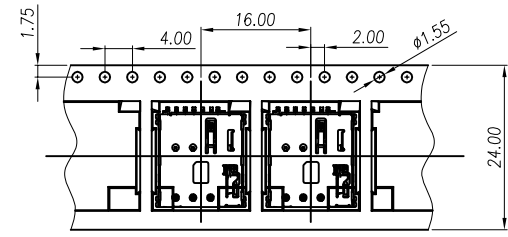
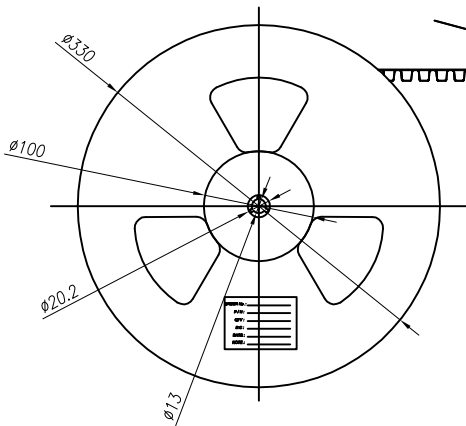
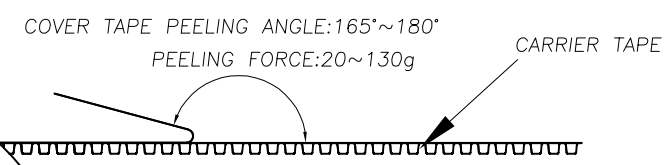
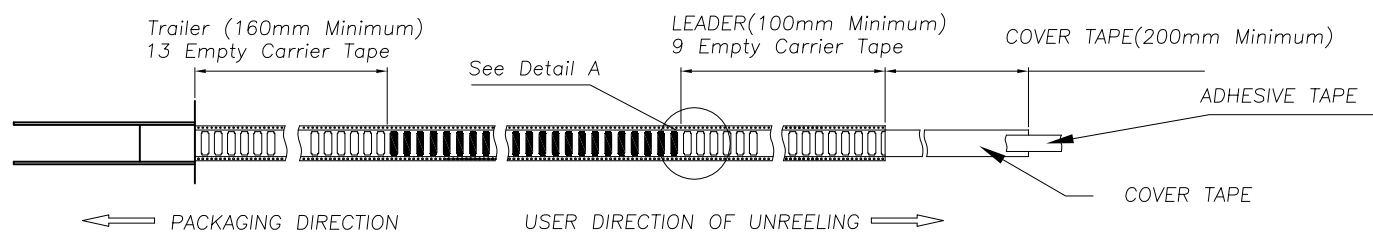
DONGGUAN JIANXING ELECTRONICS CO., LTD.		Dongguan JianXing Electronics Co.,Ltd.	
TOLERANCE UNLESS OTHERWISE SPECIFIED		TITLE: 1.37H NANO SIM CARD CONNECTOR	
.X±0.35	X.*± 5°	APR.	DWG NO. SEE INSTRUCTIONS
.XX±0.25	.X.*± 3°	CHK.	PROJ.  CUSTOMER DRAWING
.XXX±0.15	.XX.*± 1°	DRA. Yann	SIZE A4 SCALE 4:1 SHEET 1/2 REV. A

ROHS

REV.	Q'TY	ECN. NO.	APR.	DATE
A		FIRST RELEASE	Jason	2021.03.11

A  
B  
C  
D  
E  
F

A  
B  
C  
D  
E  
F



DETAIL A

2	SM007-2B137A071	1500	10		15000	350X350X340
1	SM007-2B137A07N	1500	10		15000	350X350X340
ITEM	PRODUCT NO	QTY/REEL	REEL/CARTON	Kg/CARTON	QTY/CARTON	CARTON SIZE

DIMENSION IN mm			Dongguan JianXing Electronics Co.,Ltd.	
TOLERANCE UNLESS OTHERWISE SPECIFIED				
.X±0.35	X'± 5°	APR.	TITLE: 1.37H NANO SIM CARD CONNECTOR	
.XX±0.25	.X'± 3°	CHK.	DWG NO. SEE INSTRUCTIONS	
.XXX±0.15	.XX'± 1°	DRA. Yann	PROJ.	CUSTOMER DRAWING
			SIZE A4	SCALE 1:4
			SHEET 2/2	REV. A