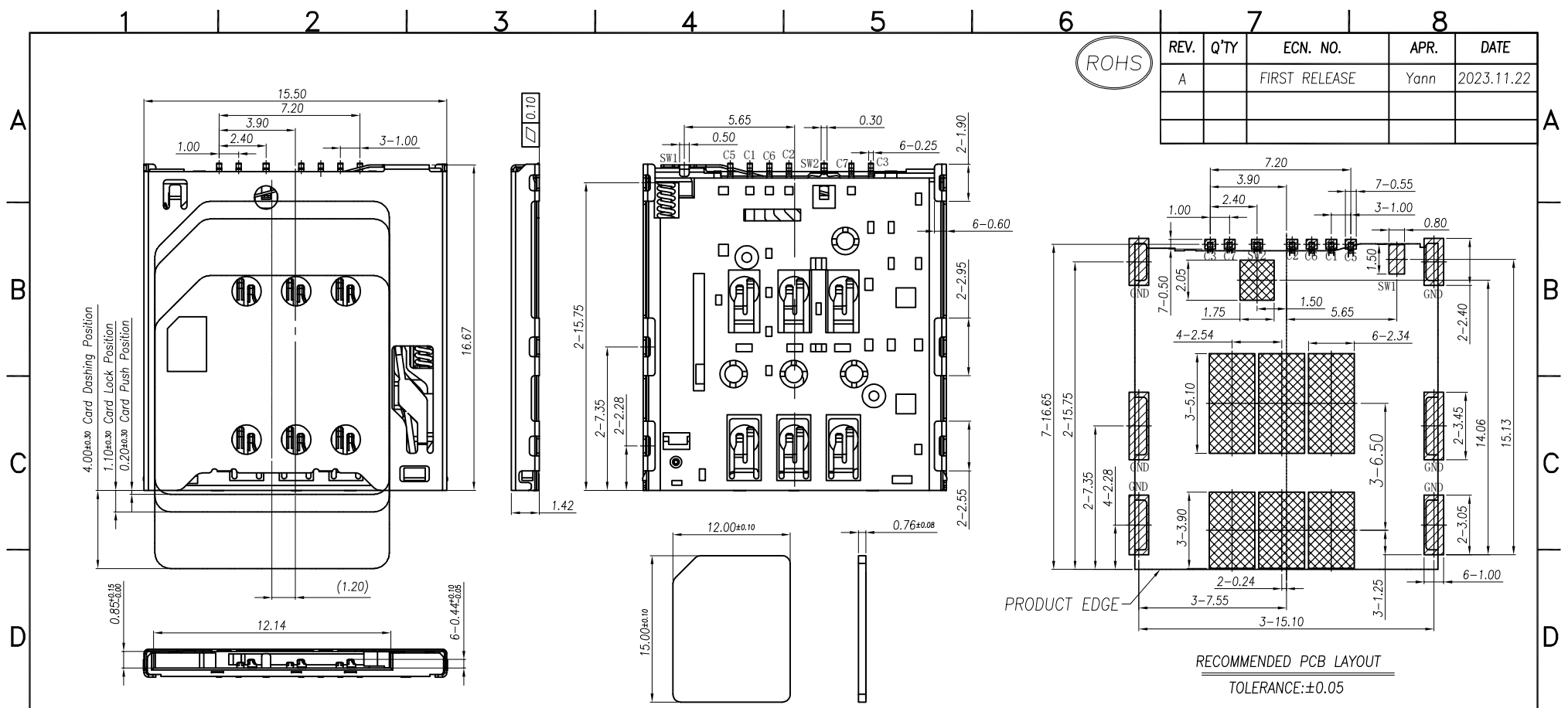


ROHS

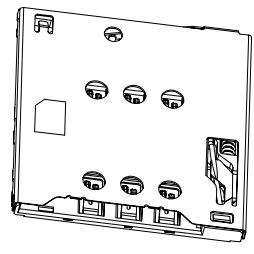
REV.	Q'TY	ECN. NO.	APR.	DATE
A		FIRST RELEASE	Yann	2023.11.22



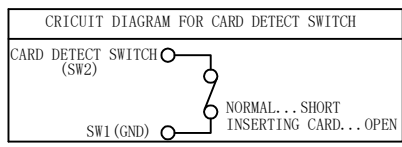
RECOMMENDED PCB LAYOUT  
TOLERANCE:±0.05

- SMT SOLDER AREA
- COPPER RESTRICTED AREA
- 1.TOUCH AREA OF CONTACT TIPS NO ELECTRICAL FUNCTION
- 2.NO FIRST PCB\_LAYOUT CIRCUITS IN THE AREA

Notes:  
 1.Material:  
 Housing: High Temperature Thermoplastic.  
 Terminal:Copper Alloy  
 Shell: Stainless Steel  
 2.Plating:  
 Terminal:50u" Ni Underplated Overall  
 G/F Plated On Contact Area  
 G/F Plated On Solder Area  
 Shell:30u" Ni Underplated Overall  
 G/F Plated On Contact Area And Solder Area  
 3.Technical Speciality:  
 Rated Voltage: 30V  
 Current Rating: 0.5A  
 Insulation Resistance:1000MΩ Min.  
 Contact Resistance:100mΩ Max.  
 Withstanding Voltage: 500V DC For 1 Minutes.  
 Operating Temperature: -40℃~+85℃ Humidity 80% R.H Max.



3D VIEW



PIN/NO	ASSIGNMENT
C1	VCC
C2	RST
C3	CLK
C5	GND
C6	VPP
C7	I/O
SW1	Detect Lever/GND
SW2	Detect Switch

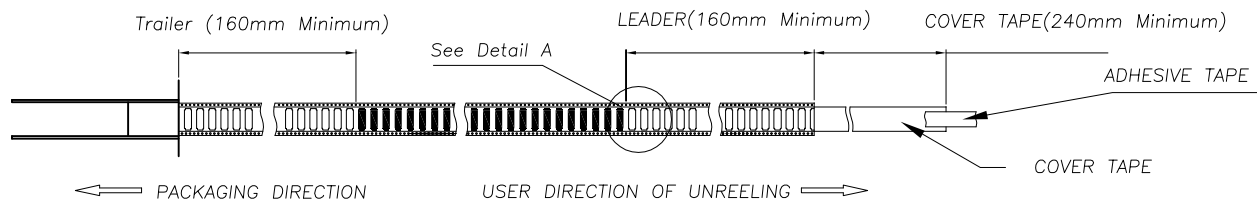
DIMENSION IN mm	
TOLERANCE UNLESS OTHERWISE SPECIFIED	
.X±0.35	.X*± 5°
.XX±0.25	.X*± 3°
.XXX±0.15	.XX*± 1°

**Dongguan JianXing Electronics Co.,Ltd.**

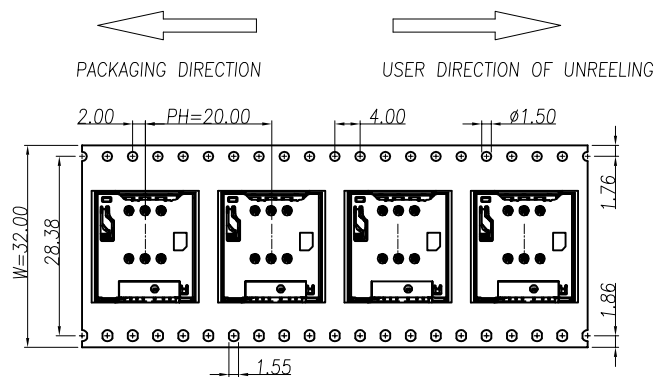
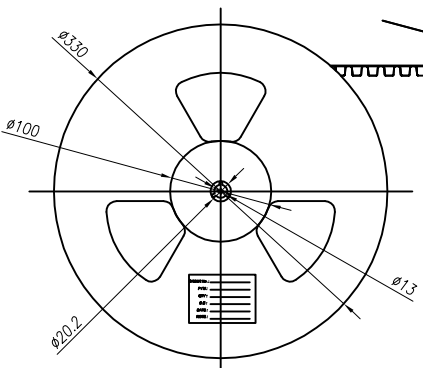
APR.	TITLE: 1.42H Micro_SIM Card CONNECTOR
CHK.	DWG NO. SM005-1B142A061
DRA. Yann 2023.11.22	PROJ.  CUSTOMER DRAWING
SIZE A4	SCALE 4:1
SHEET 1/2	REV. A

ROHS

REV.	Q'TY	ECN. NO.	APR.	DATE
A		FIRST RELEASE	Yann	2024.02.26





COVER TAPE PEELING ANGLE: 165°~180°  
PEELING FORCE: 20~130g



DETAIL A  
1:4

1	SM005-1B142A061	1500	8	12000	350X350X340
ITEM	PRODUCT NO	QTY/REEL	REEL/CARTON	QTY/CARTON	CARTON SIZE

DIMENSION IN mm		 <b>Dongguan JianXing Electronics Co.,Ltd.</b>		
TOLERANCE UNLESS OTHERWISE SPECIFIED				
.X±0.35	X.*± 5°	APR.	TITLE: 1.42H Micro_SIM Card CONNECTOR	
.XX±0.25	.X.*± 3°	CHK.	DWG NO. SM005-1B142A061	
.XXX±0.15	.XX.*± 1°	DRA Yann 2024.02.26	PROJ. 	CUSTOMER DRAWING
			SIZE A4	SCALE 4:1
			SHEET 2/2	REV. A